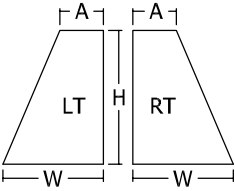
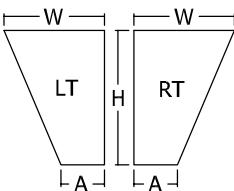
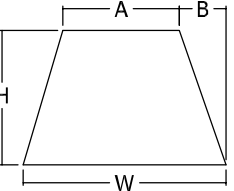
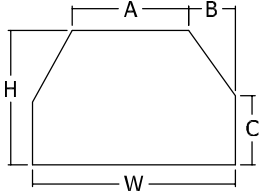
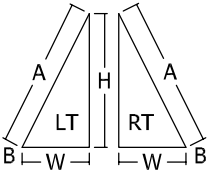
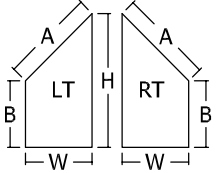
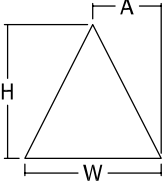
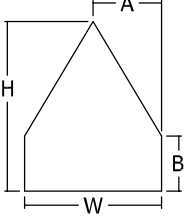
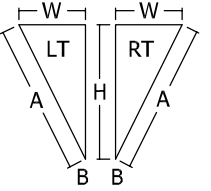
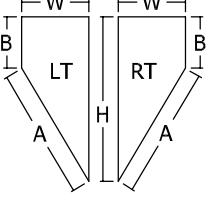
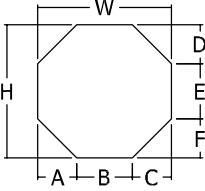
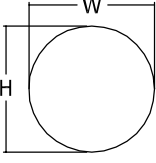
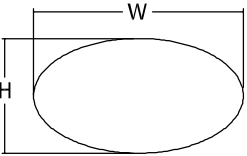
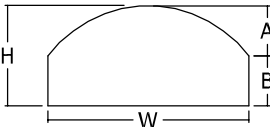
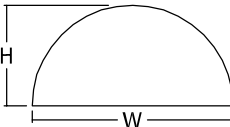
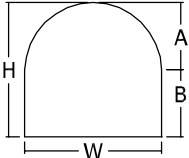
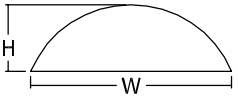
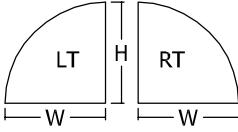
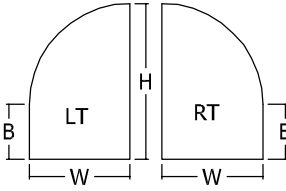
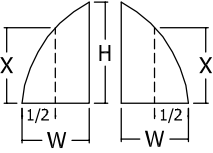
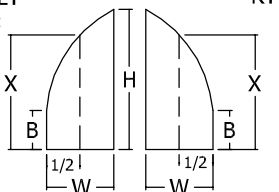


# WOOD

 <p>TRAPEZOID</p>	 <p>INVERTED TRAPEZOID</p>	 <p>TRAPEZOID IF A IS ON CENTER OF W, B IS NOT REQUIRED</p>	 <p>EXTENDED TRAPEZOID IF A IS ON CENTER OF W, B IS NOT REQUIRED</p>
 <p>B=ZERO ANGLE TOP</p>	 <p>EXTENDED ANGLE TOP</p>	 <p>TRIANGLE</p>	 <p>EXTENDED TRIANGLE</p>
 <p>B=ZERO ANGLE BOTTOM</p>	 <p>EXTENDED ANGLE BOTTOM</p>	 <p>OCTAGON IF ALL SIDES ARE = THAN ONLY E IS REQUIRED</p>	 <p>PERFECT CIRCLE</p>
 <p>NON PERFECT CIRCLE</p>	<p>*</p>  <p>EXTENDED ARCH</p>	 <p>PERFECT ARCH</p>	 <p>EXTENDED PERFECT ARCH</p>
<p>*</p>  <p>NON PERFECT ARCH</p>	 <p>PERFECT 1/4 ARCH</p>	 <p>EXTENDED PERFECT 1/4 ARCH</p>	<p>LT RT</p> <p>*</p>  <p>NON PERFECT 1/4 ARCH</p>
<p>LT RT</p> <p>*</p>  <p>EXT. NON PERFECT 1/4 ARCH</p>	<p>NOTE: TO DETERMINE "X" MEASUREMENT ON 1/4 ARCHES, DIVIDE "W" IN HALF MEASURE FROM THIS POINT STRAIGHT UP (PLUMB) AS SHOWN IN DIAGRAM.</p> <p>NOTE: * TEMPLATE REQUIRED</p> <p>NOTE: TRIANGLES CAN BE INVERTED</p> <p>NOTE: TRIANGLES A = STRAIGHT WIDTH TO VERIFY POINT IS AT CENTER</p>		